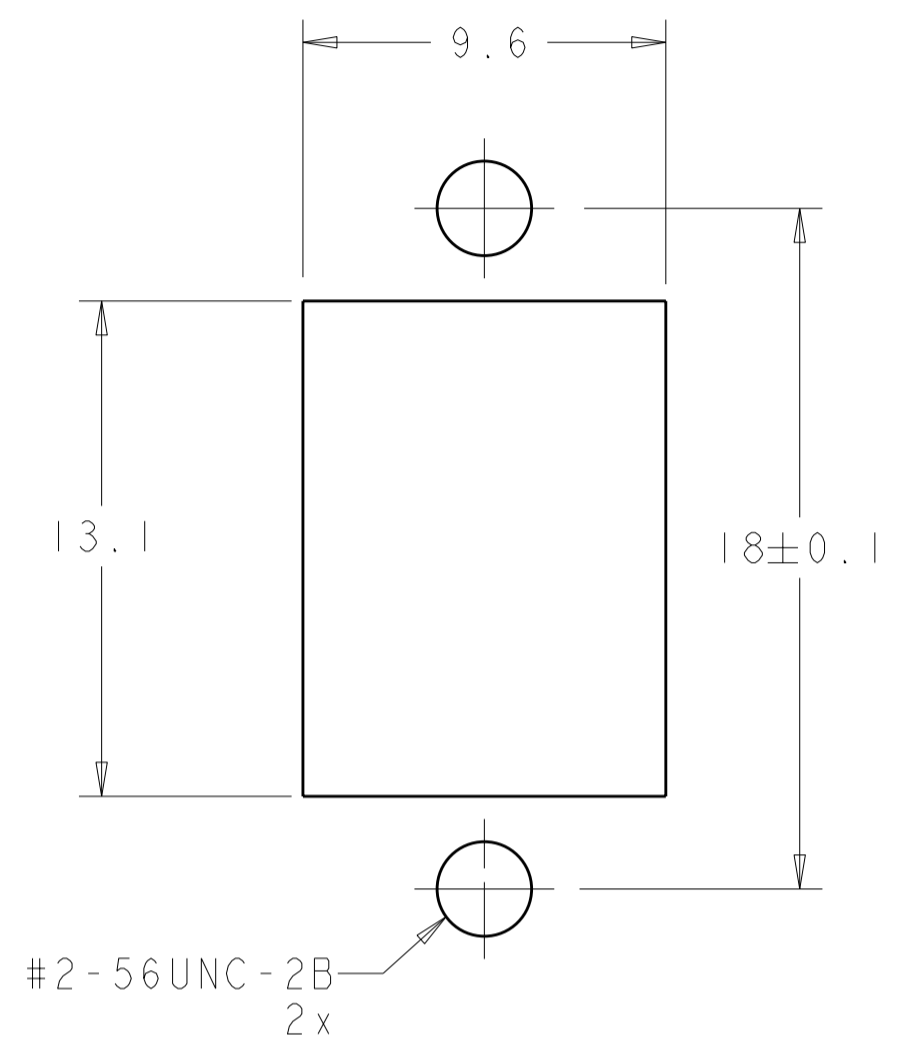
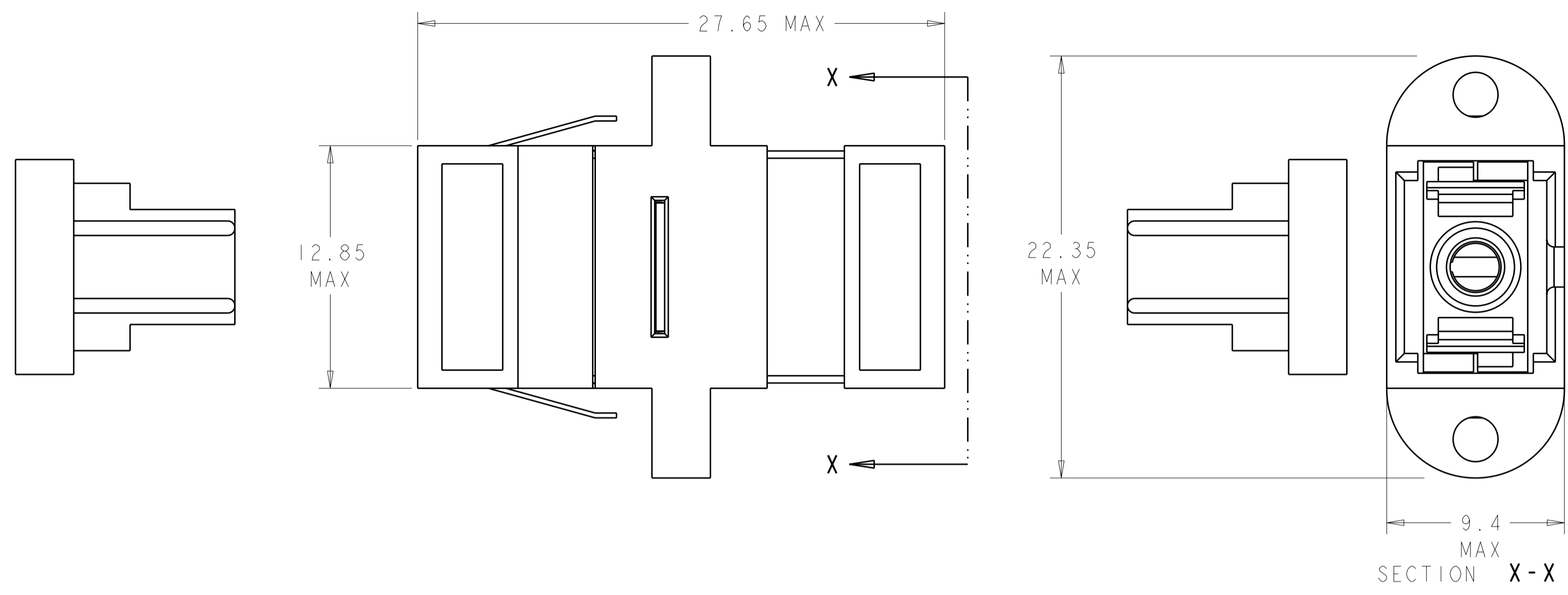


THIS DRAWING IS UNPUBLISHED. RELEASED FOR PUBLICATION 20
 © COPYRIGHT 20 BY TYCO ELECTRONICS CORPORATION. ALL RIGHTS RESERVED.

LOC CE DIST 00

REVISIONS					
P	LTR	DESCRIPTION	DATE	DWN	APVD
C		REVISE PER ECR-06-000779	11JAN2006	BB	SB
D		REVISE PER ECR-06-015290	23JUN2006	BB	SB
E		REVISE PER ECR-08-000844	23JAN2008	BB	SM
F		REVISE PER ECR-08-016513	07JUL2008	BB	SM

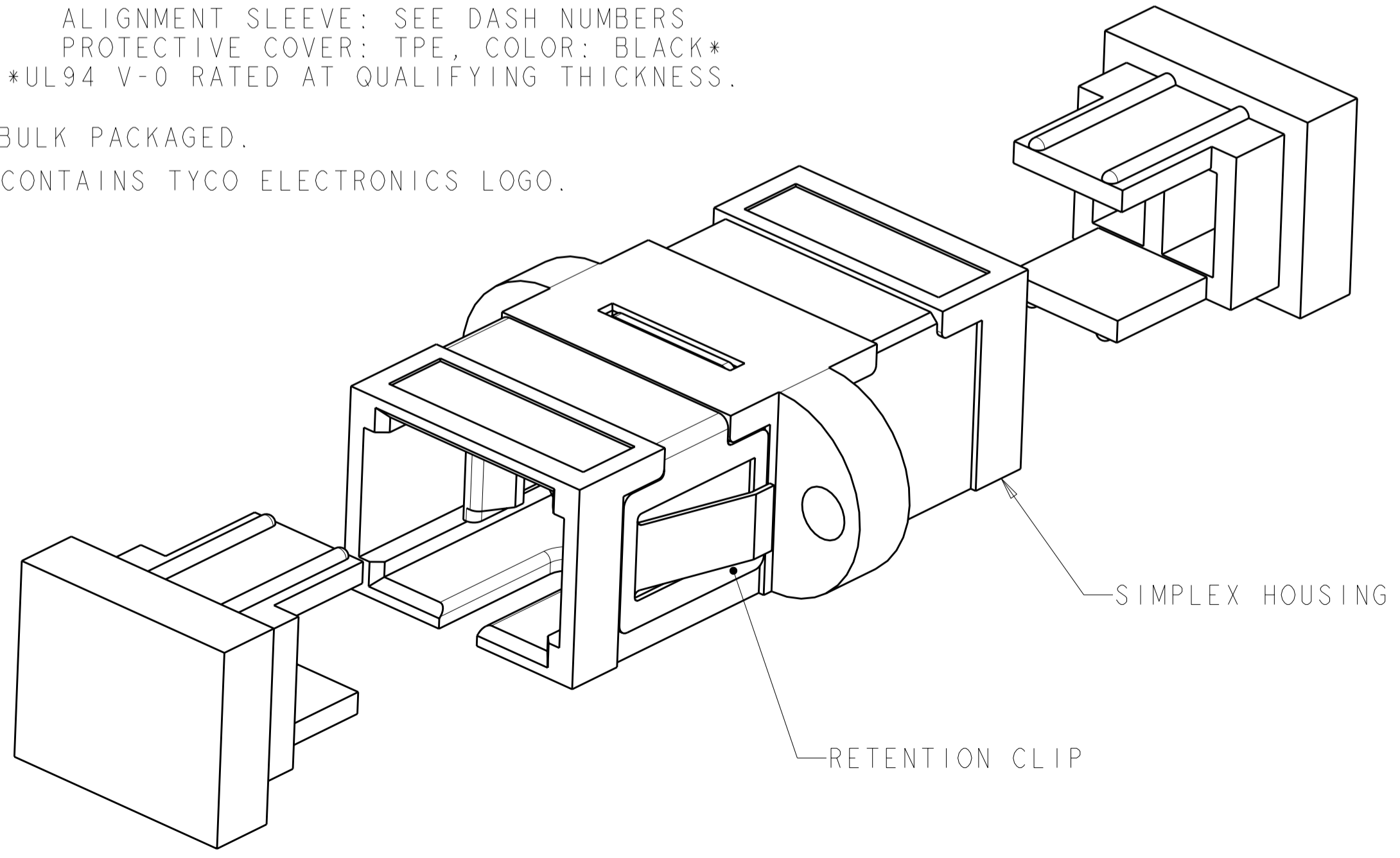


1 MATERIAL:
 HOUSING: PBT-GF30, SEE DASH NUMBERS FOR COLOR*
 RETAINER: PEI-GF30, COLOR: BLACK*
 RETENTION CLIP: STAINLESS STEEL
 ALIGNMENT SLEEVE: SEE DASH NUMBERS
 PROTECTIVE COVER: TPE, COLOR: BLACK*
 *UL94 V-0 RATED AT QUALIFYING THICKNESS.

2 BULK PACKAGED.
 3 CONTAINS TYCO ELECTRONICS LOGO.

SUGGESTED PANEL CUTOUT
 MAX. PANEL THICKNESS 1.7

3	CERAMIC	BLUE	2-5502632-5
	CERAMIC	AQUA	2-5502632-4
	METAL	AQUA	2-5022632-3
2	CERAMIC	GREEN	2-5502632-2
	METAL	GREEN	2-5502632-1
	CERAMIC	BLUE	1-5502632-8
	CERAMIC	BEIGE	1-5502632-2
	CERAMIC	BLUE	1-5502632-1
	CERAMIC	BLACK	1-5502632-0
	METAL	BEIGE	5502632-9
	METAL	BLUE	5502632-8
	METAL	BLACK	5502632-7
		ALIGNMENT SLEEVE	COLOR



<small>THIS DRAWING IS A CONTROLLED DOCUMENT FOR TYCO ELECTRONICS CORPORATION IT IS SUBJECT TO CHANGE AND THE CONTROLLING ENGINEERING ORGANIZATION SHOULD BE CONTACTED FOR THE LATEST REVISION.</small>		DWN B. BRIGGS 13MAY2005 CHK S. MILLER 13MAY2005 APVD S. BUCHTER 13MAY2005	Tyco Electronics Harrisburg, PA 17105-3608
DIMENSIONS: mm 	TOLERANCES UNLESS OTHERWISE SPECIFIED: 0 PLC ± 1 PLC ±0.1 2 PLC ±0.05 3 PLC ± 4 PLC ± ANGLES ± FINISH	PRODUCT SPEC APPLICATION SPEC WEIGHT	NAME RECEPTACLE ASSEMBLY, AMP SC TO SC
MATERIAL			SIZE CAGE CODE DRAWING NO RESTRICTED TO A200779 C-5502632 -
CUSTOMER DRAWING			SCALE 5:1 SHEET 1 OF 1 REV F